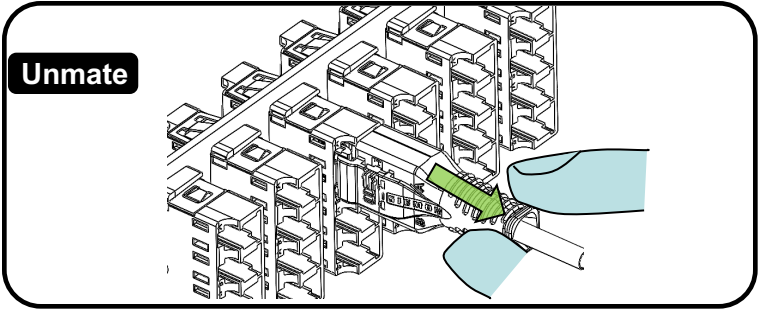
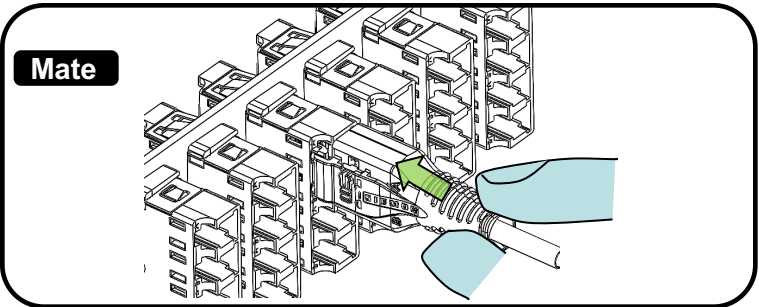
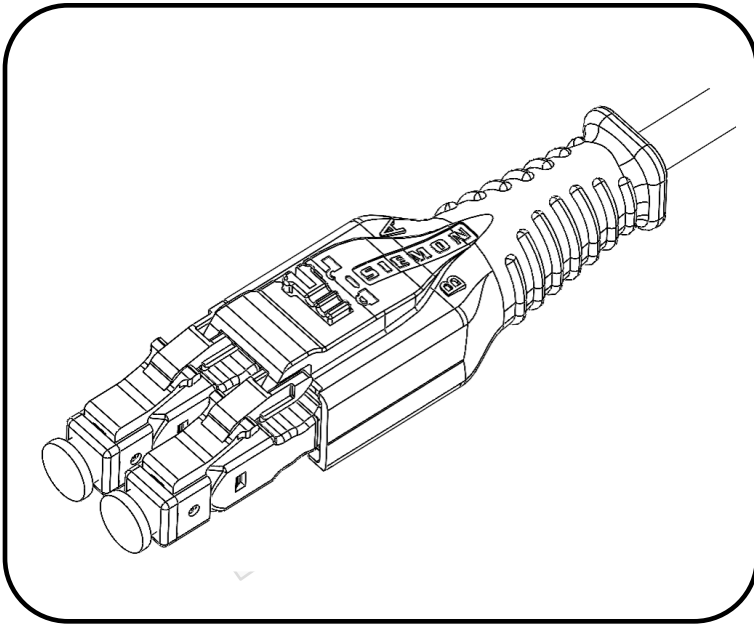


LC BladePatch APC and UPC/APC Hybrid



Polarity change

From the factory jumpers come in RFP configuration but can easily be changed to CFP configuration in the following steps.

1

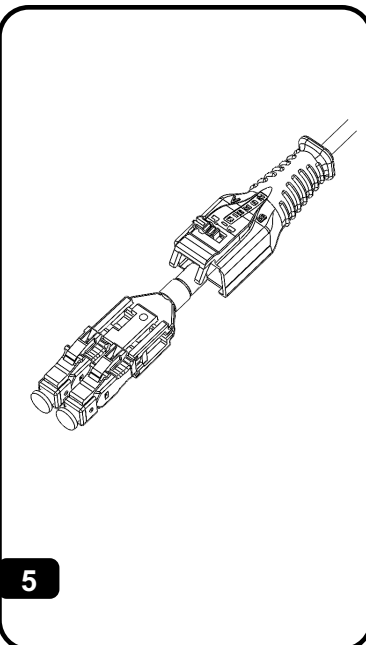
2

1

2

3

4



APC (Green)

Gently pull the LC connectors free from the connector assembly.

6a

APC (Green)

180°

Gently rotate the LC connectors 180 degrees and slide them back into the connector assembly.

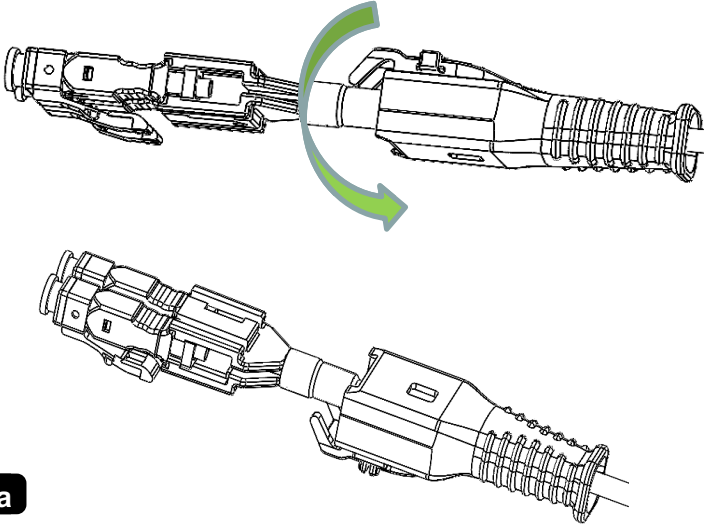
7a

APC (Green)

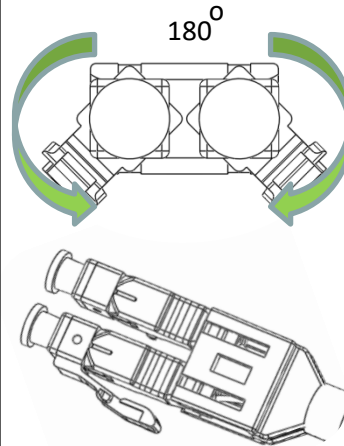
8a

LC BladePatch APC and UPC/APC Hybrid

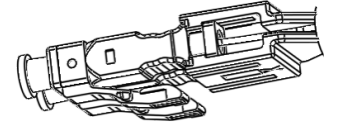
APC (Green)



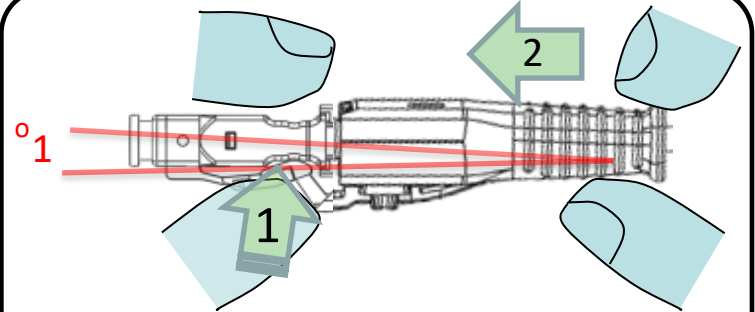
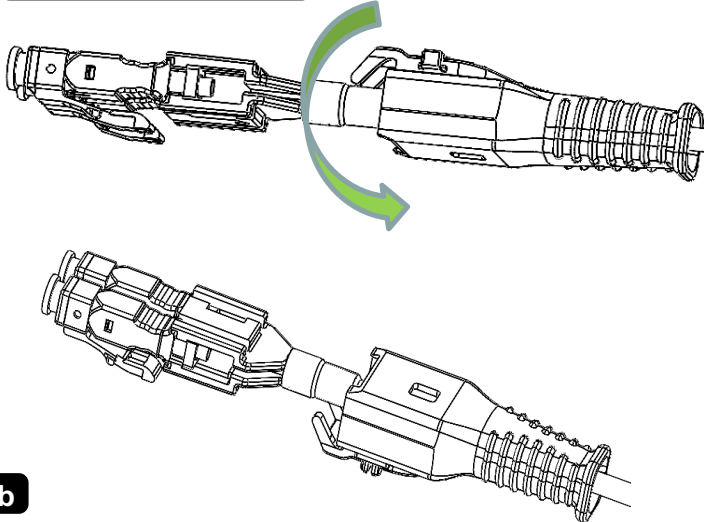
UPC (Blue) Hybrid



UPC (Blue) Hybrid

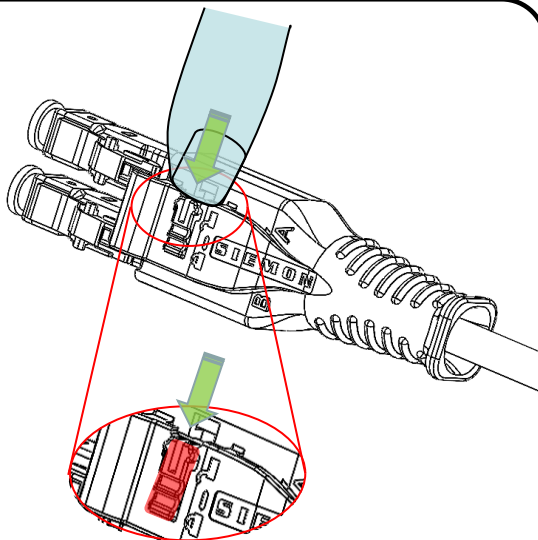
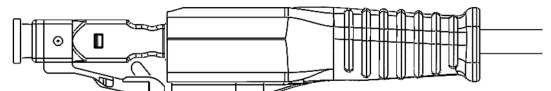


UPC (Blue) Hybrid

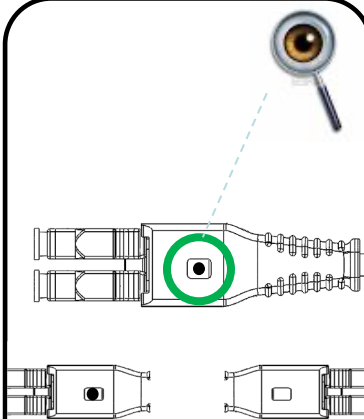


While Depressing the LC connector latches tilt slightly (arrow 1) to allow boot housing to move back into place.

9



10

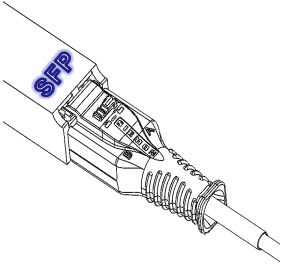


After polarity has been changed through the field procedure one side will show a hole and the other side will show blank.

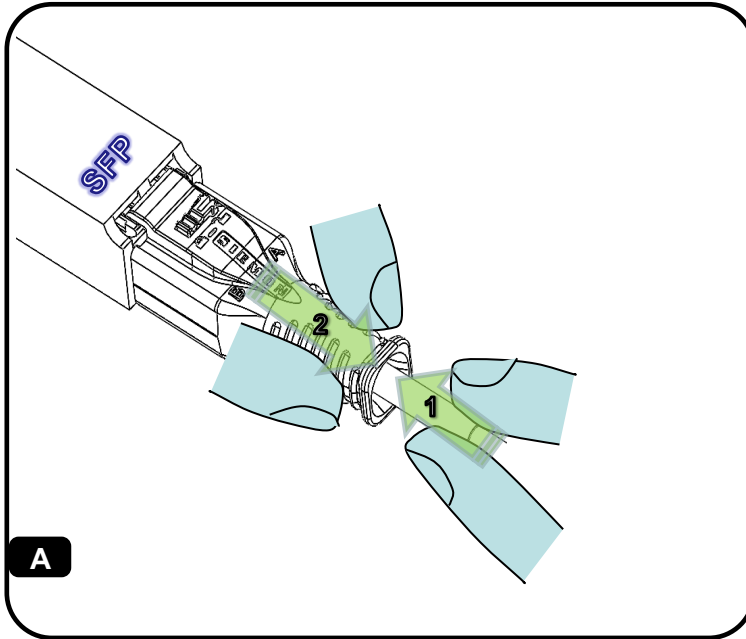
11

LC BladePatch APC and UPC/APC Hybrid

Procedure for out of spec. SFP port removal



In the unlikely event the jumper will not withdraw from an SFP follow step "A" to remove the connector.



Comply with the following for safe installations:

- A. Use caution when installing or modifying telecommunications circuits.
- B. Never touch uninsulated wire terminals unless the circuit has been disconnected.
- C. Never install this device in a wet location.
- D. Never install wiring during a lightning storm.

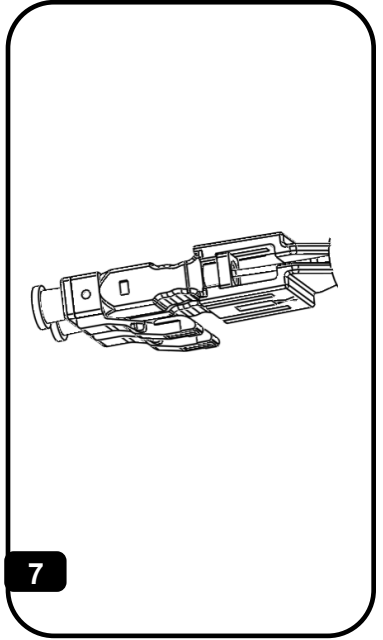
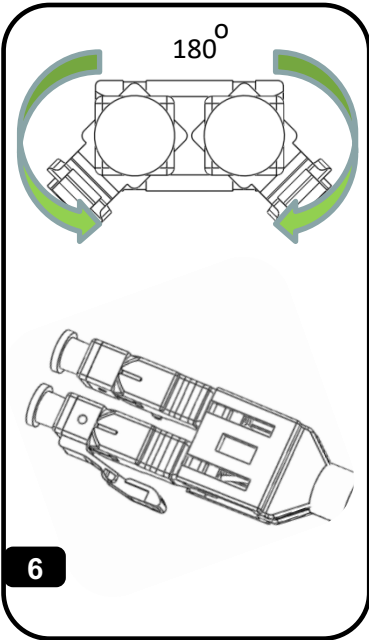
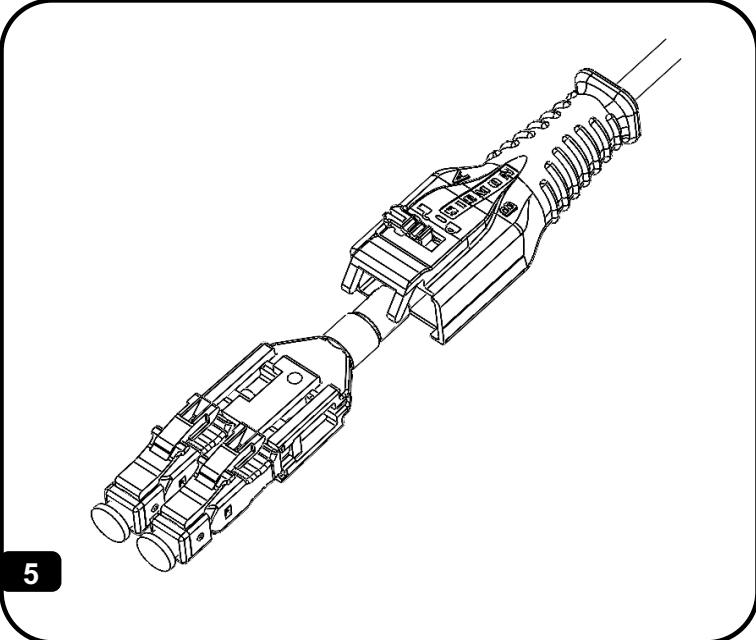
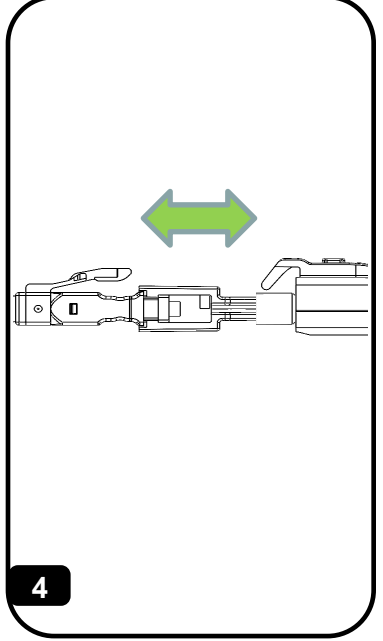
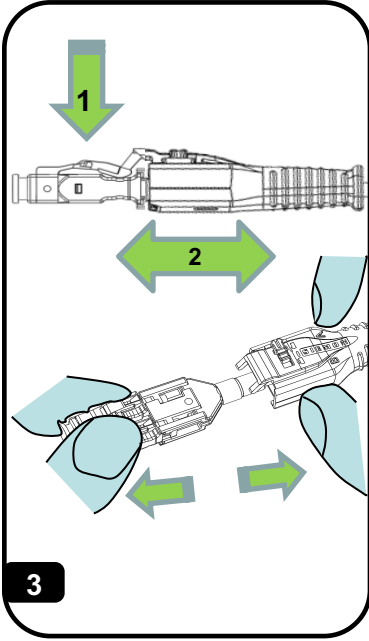
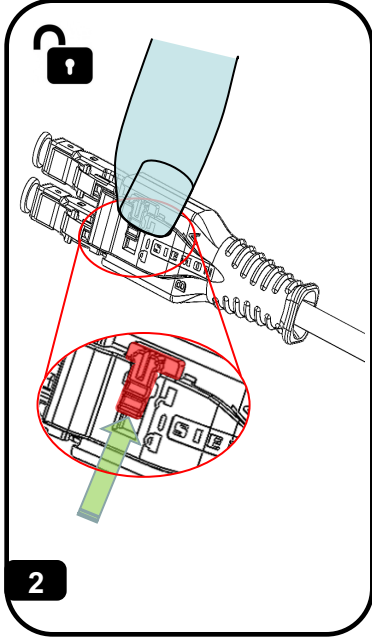
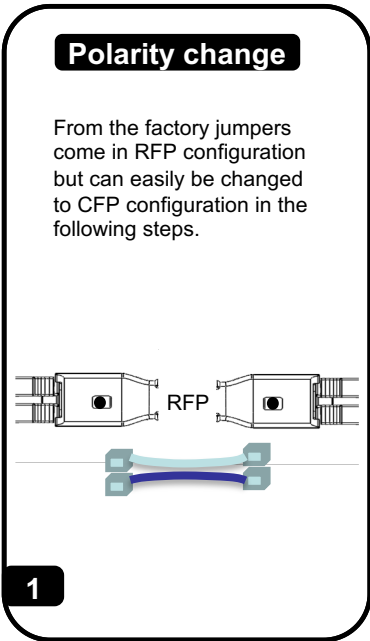
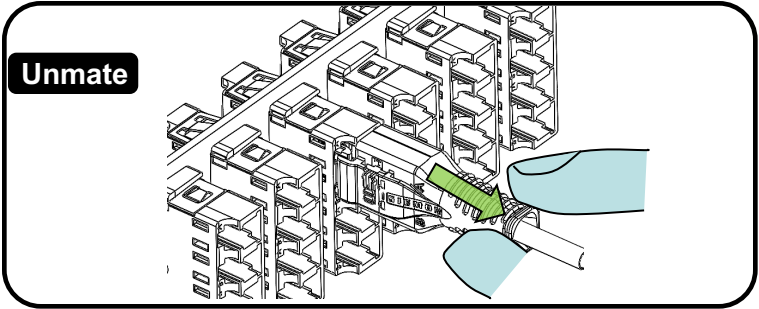
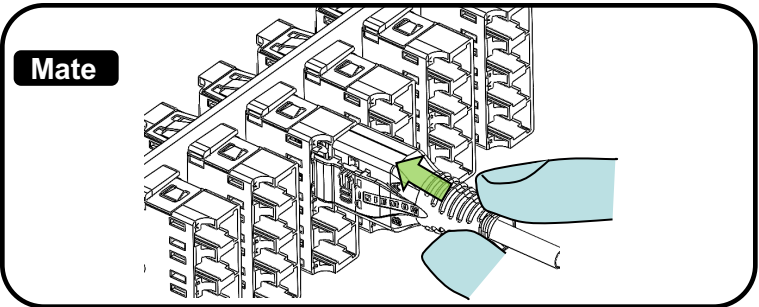
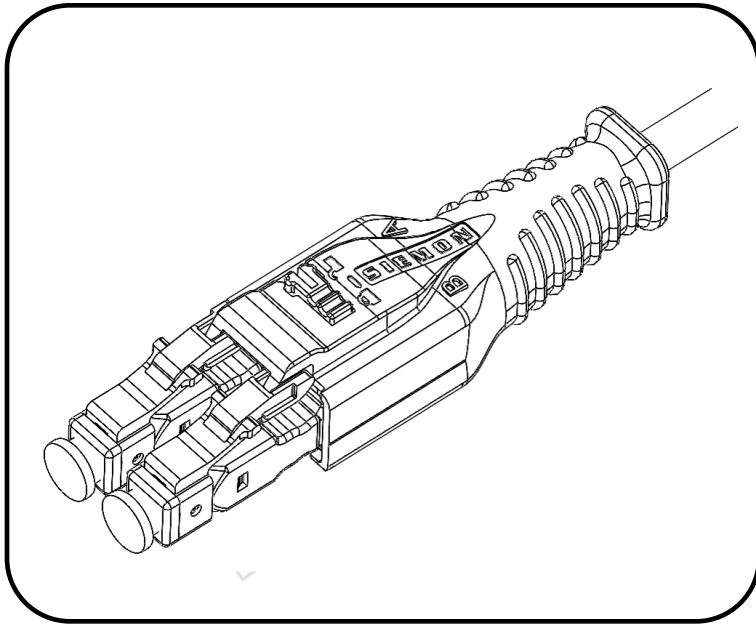


Global Headquarters
Watertown, Connecticut L
Tel: (1) 866-548-5814

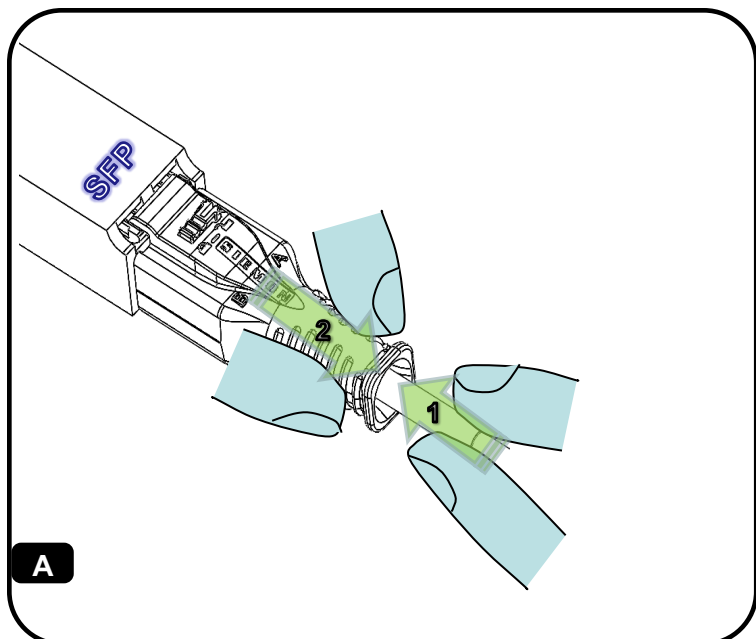
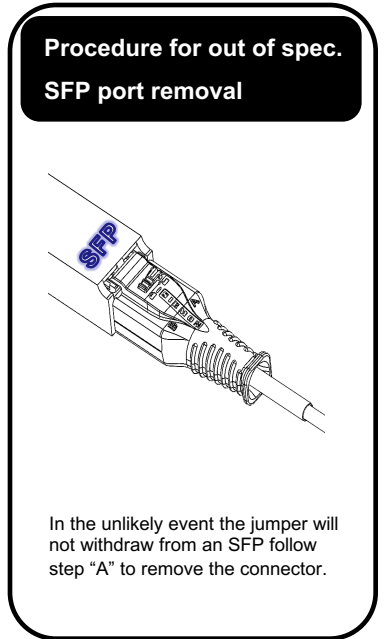
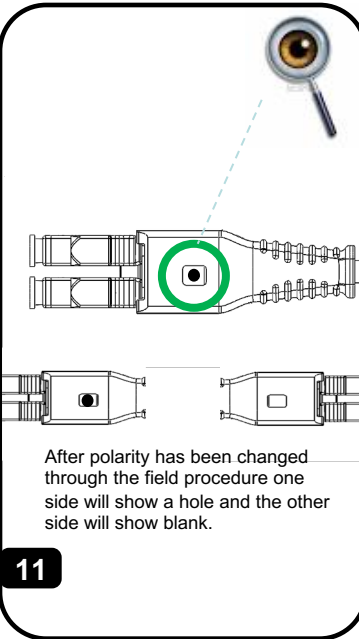
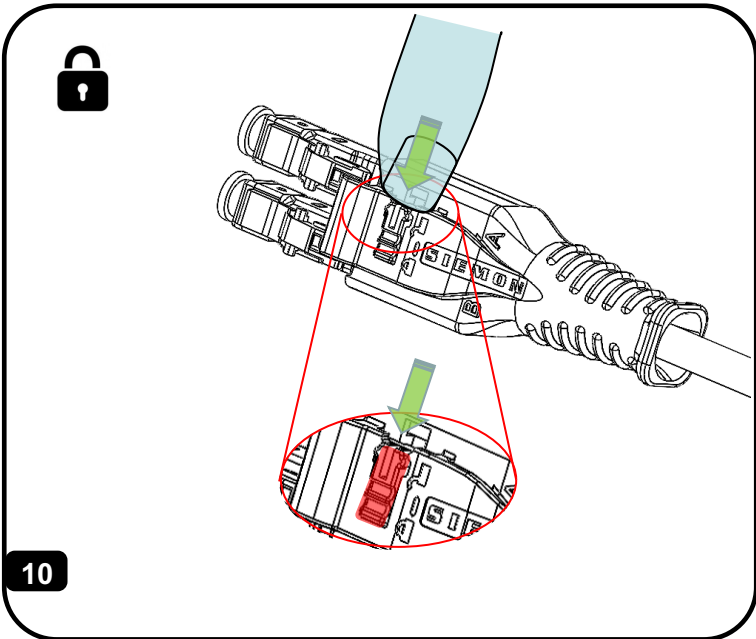
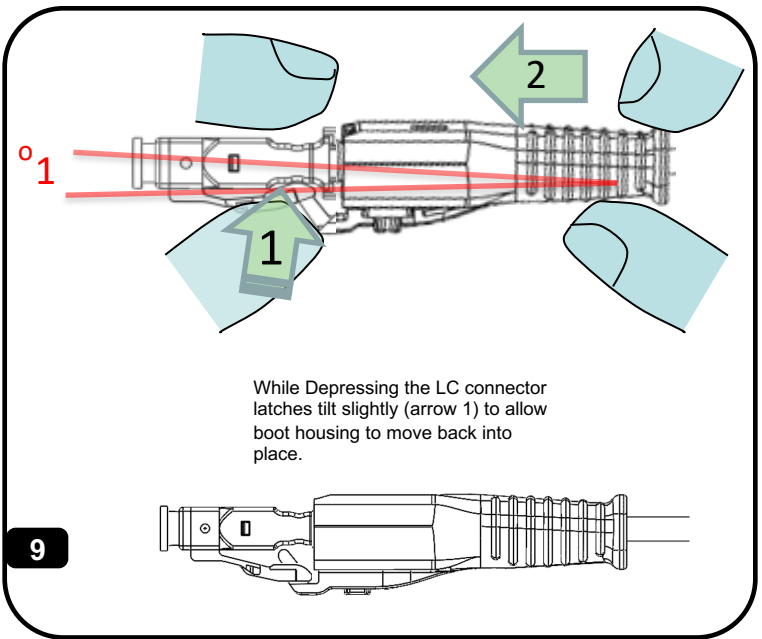
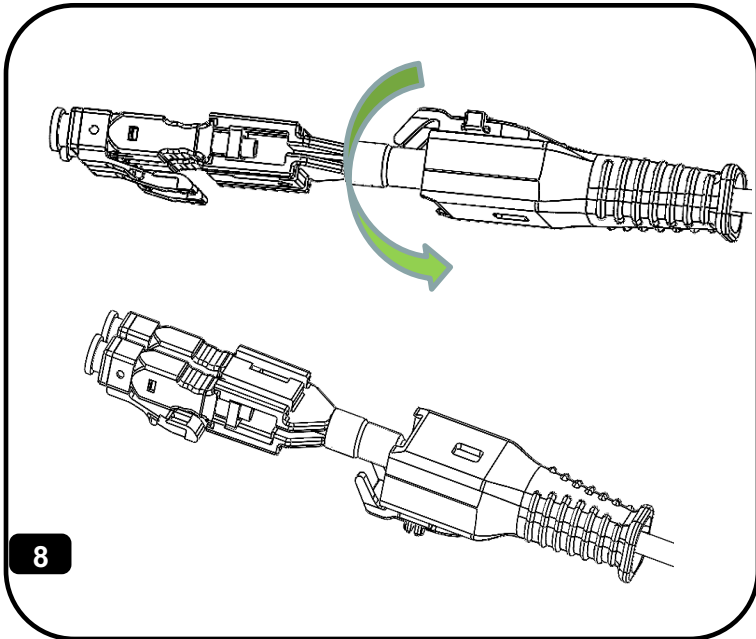


For a complete listing of our global offices visit our web site

LC Bladepatch Instructions



LC Bladepatch instructions



- Comply with the following for safe installations:**
- A. Use caution when installing or modifying telecommunications circuits.
 - B. Never touch uninsulated wire terminals unless the circuit has been disconnected.
 - C. Never install this device in a wet location.
 - D. Never install wiring during a lightning storm.



Global Headquarters
Watertown, Connecticut L
Tel: (1) 866-548-5814



For a complete listing of our global offices visit our web site